

Job Name:	
Order No.	

Submittal Data Sheet

RAC-GJ09WHAA / RAK-GJ09PHAA

9000 Btu/hr Wall Mount Heat Pump System



Efficiency

Cooling		Heating	
SEER2	23.0	HSPF2	11.4
EER2	15.0	COP	3.8

Performance

Cooling (Btu/hr)

Rated(Min/Max)	9000(4500/10500)
Sensible@AHRI	7547
Operating Range	-0.4 ~ 114.8 (-18 ~ 46)

Indoor: 80°F DB/67°F WB
Outdoor: 95°F DB/75°F WB

Heating (Btu/hr)

1: @ 47° Rated (Min/Max)	11000(3800/15000)
2: @ 17° Rated	7500
3: @ 5° Max: Capacity / COP	11000/1.8
Operating Range	-13 ~ 75.2 (-25 ~ 24.0)

- 1: Rated Heating Conditions:** Indoor: 70°F DB/60°F WB
Outdoor: 47°F DB/43°F WB
- 2: Rated Heating Conditions:** Indoor: 70°F DB/60°F WB
Outdoor: 17°F DB/15°F WB
- 3: Heating Conditions; Compressor Operating at Max Frequency:** Indoor: 70°F DB/60°F WB
Outdoor: 5°F DB/5°F WB

Electrical

	208/60/1	230/60/1
System MCA	12	12
System MFA	15	15
Compressor RLA	6.5	6.5
Outdoor fan motor FLA	2.38	2.38
Outdoor fan motor W	47	47
Indoor fan motor FLA	0.45	0.45
Indoor fan motor W	30	30

MFA: Max. fuse amps **MCA:** Min. circuit amps (A) **FLA:** Full load amps (A)
RLA: Rated load amps (A) **W:** Fan motor rated output (W)

Piping

Liquid (in)	1/4
Gas (in)	3/8
Drain (in)	5/8
Max. Interunit Piping Length (ft)	82
Max. Interunit Height Difference (ft)	49.2
Chargeless (ft)	49
Additional Charge of Refrigerant (oz/ft)	0.11

Indoor Specifications

Airflow Rate (cfm)	Cooling		Heating	
	Hi2	Hi	Hi2	Hi
	370	360	382	294
	M	L	M	L
	324	235	265	206
Sound (dBA)	44		44	
Dimensions (W x H x D) (in)	37.40x11.57x9.25			
Airflow Inlet (H x W) (in)	3.5 X 31.4			
Weight (Lbs)	24.3			

Outdoor Specifications

Compressor	GSD102TKTA8JT6B	
Refrigerant	R32	
Factory Charge Lbs (kg)	1.98 (0.9)	
Refrigerant Oil	ACS-68R 320ml	
Airflow Rate (cfm)	Cooling	Heating
	1225	1255
Sound Pressure Level (dBA)	51	
Dimensions (W x H x D) (in)	29.53x22.44x11.02	
Weight (Lbs)	75	

Recommended cable between Outdoor and Indoor 14AWG - 18AWG 4 conductors stranded copper wire and Power wiring cable size must comply with applicable national and local codes.

Optional Accessories

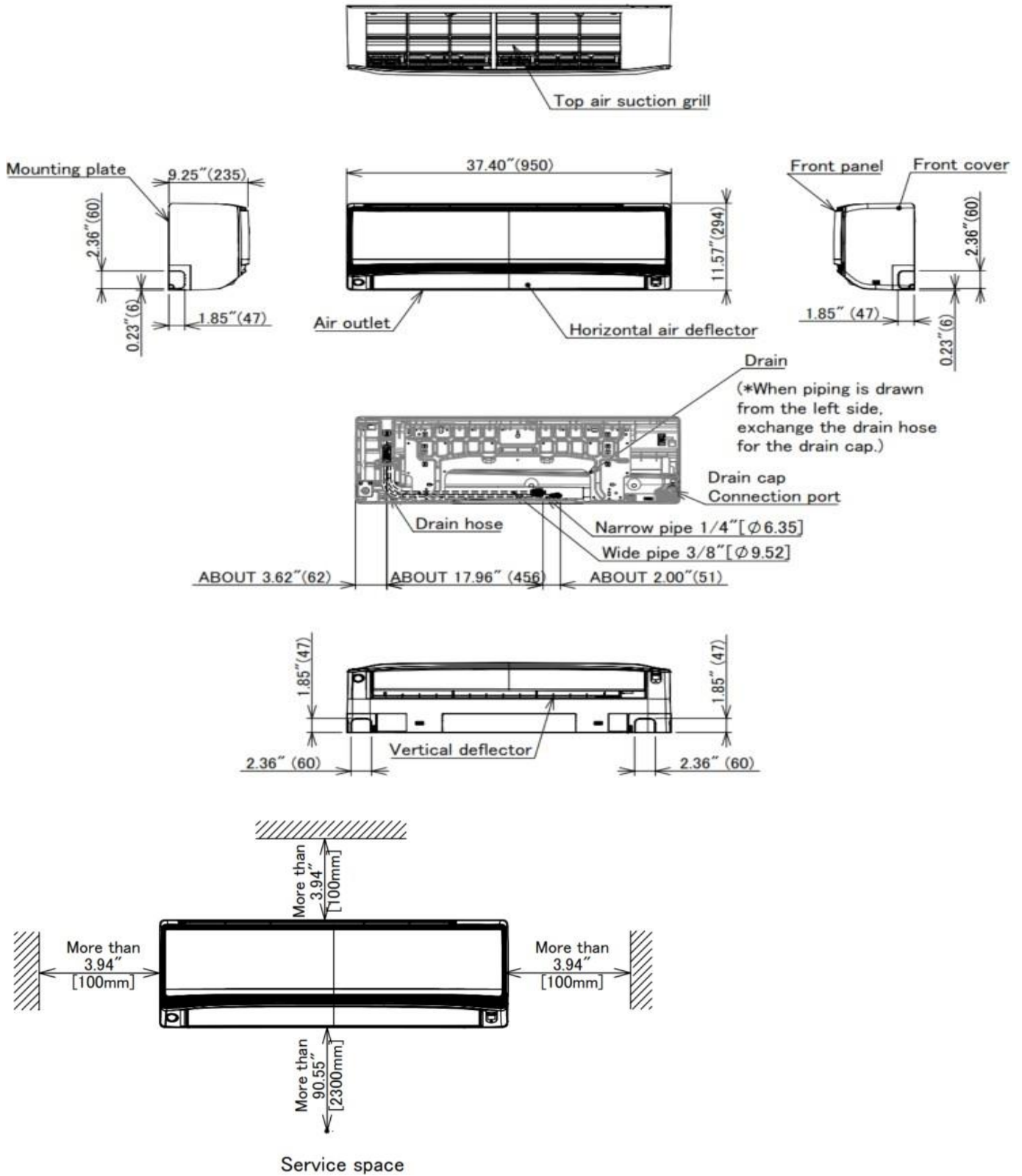
Description	Part Number
Remote Controller (Included) – N2	PMK-GJ09PHAAR04
Remote Control Support (Included)	PMK-DJ09PHAAR06
Remote Controller French – N4	PMK-GJ09PHAAR94
Wired Controller	SPX-URFG1
16.4 ft (5m) wire cable for SPX-URFG1	SPX-WKT5M
Wi-Fi Adapter (Included)	SPX-WFA03
H-Link Adapter IDU	PSC-6RAD
Adapter for Wired Remote Group Controller	SPX-DST1
26.2 ft (8m) Wire Cable for Distributor SPX-DST1	SPX-WDST8M
Dry Contact	SPX-WDC3
ON/OFF Status and Alarm Signal	SPX-WDC8
Mini Aqua Univolt 100V – 250V	DPWM-83819
Condenser Stand	DL87743
Condenser Wall Bracket	DL87733
5-Wire Thermostat / Wi-Fi / BACnet/Modbus Adapter	C1STAT01

Dimensional Data

INDOOR UNIT

Unit: Inch (mm)

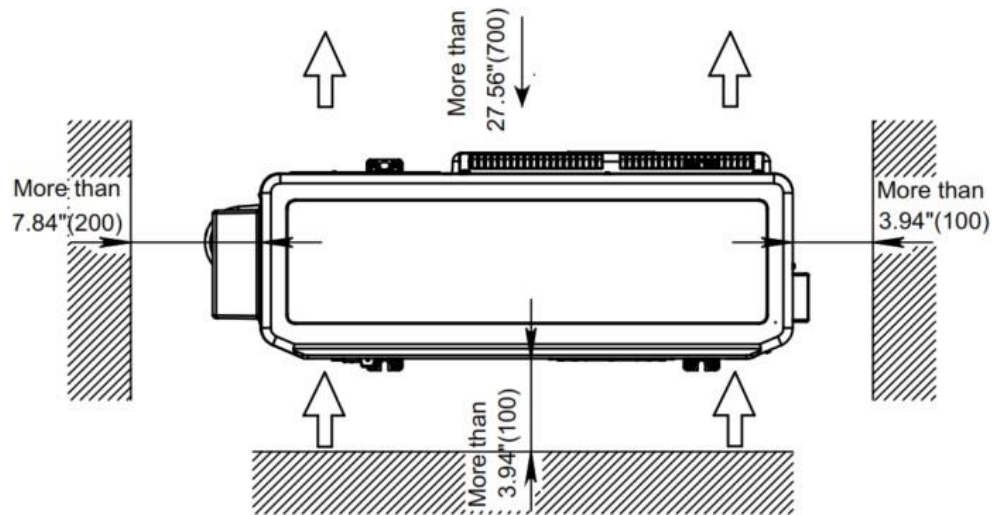
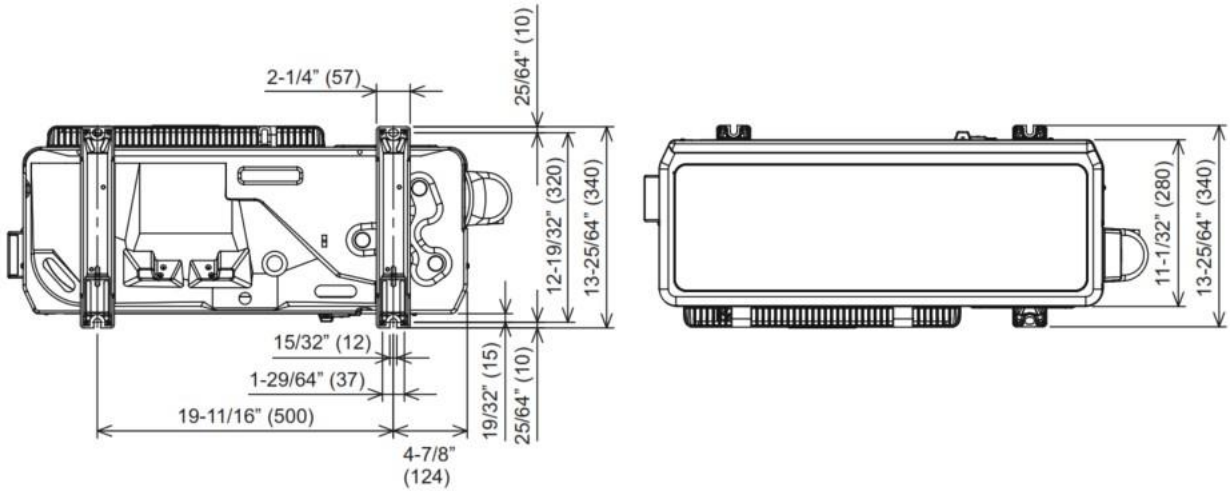
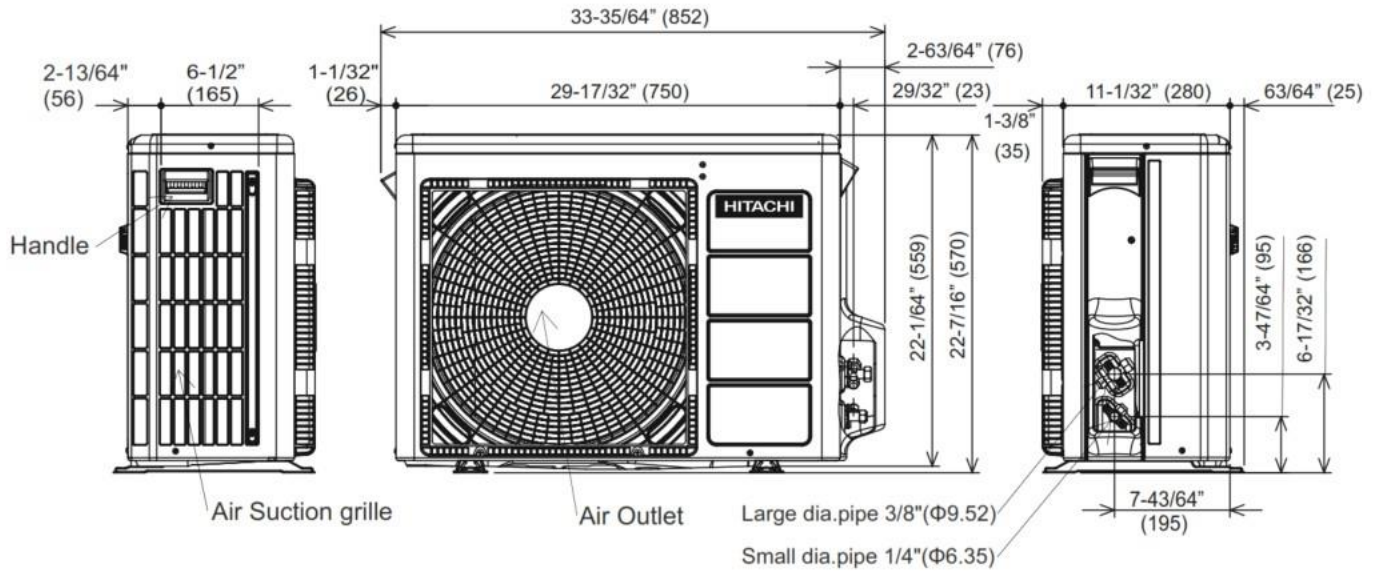
MODEL : RAK-GJ09PHAA , RAK-GJ12PHAA



Dimensional Data

OUTDOOR UNIT

Unit: Inch (mm)



Service space